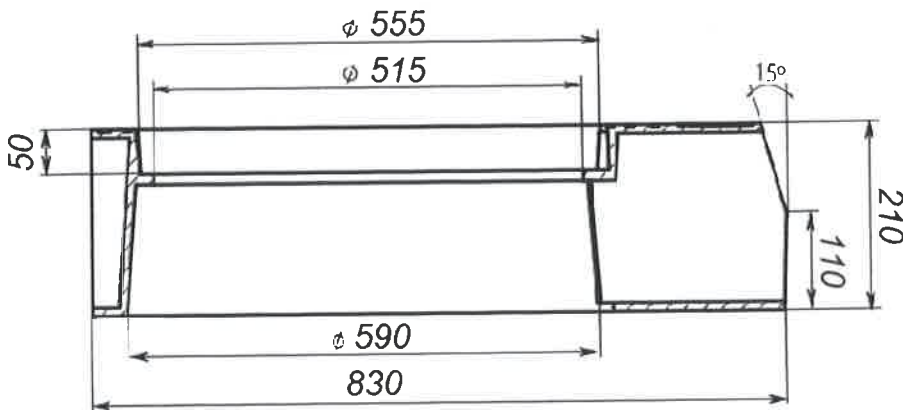
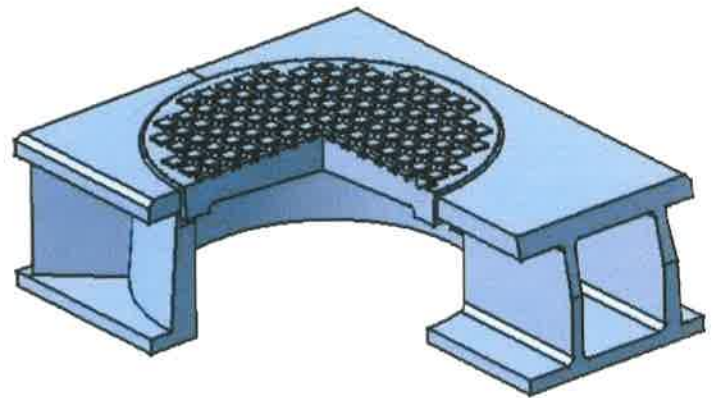


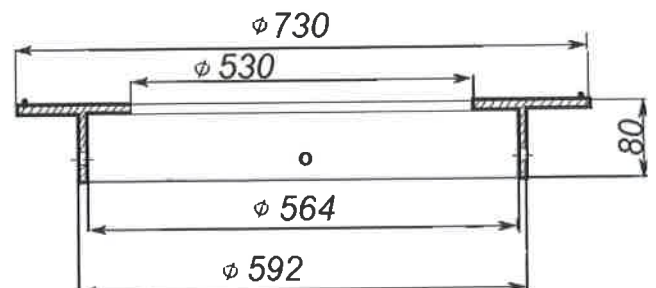
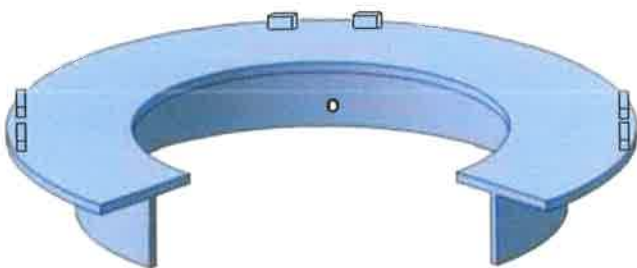
# Säädettävät kitakaivot 680x830 mm (art.550/210/50 D400) joissa on sovitinta

KITAKAIVO art.550/210/50 D400

kehys ulkomitat 680(l)x830(s)x210(k)  
umpikansi art. 550/50 D400



Sovitinta teleskooppiputkelle polyeteeniputkella DN560/DN630  
kitakaivon art.550/210/50 D400 asennusta varten



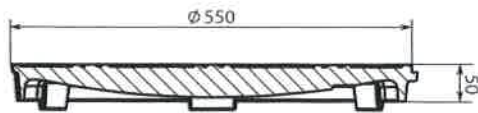
## Cover and Frame 550/210/50 for :

- concrete well or ring with CO  $\varnothing$  600 mm

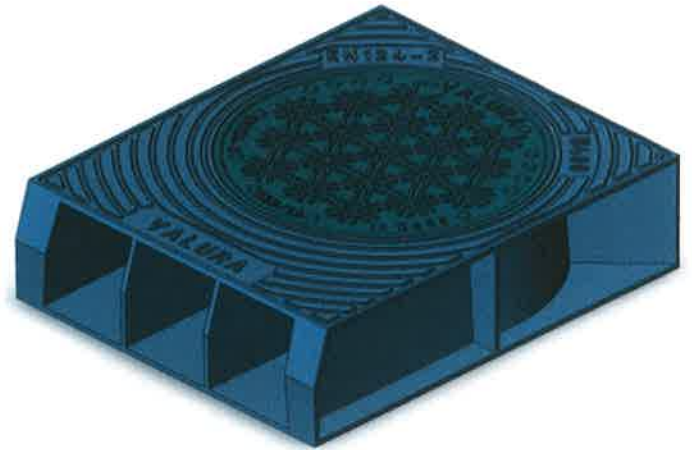
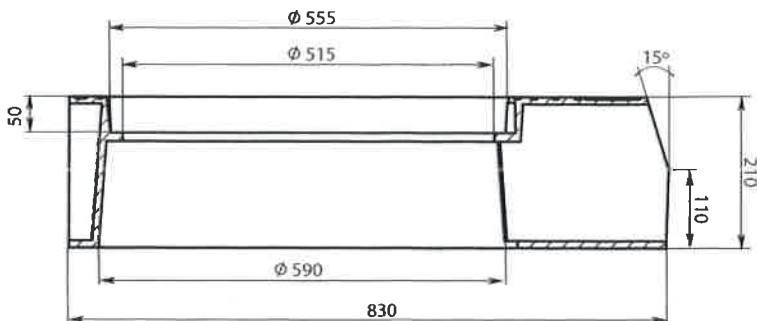
- plastic pipes  $\varnothing$  560 mm



Cover art. 550/50 Mg D400



Frame art. 550/210/50 Fd D400



Standard

EN124-2 : 2015

EN 124 Class

D400

Place of installation

Carriageways of roads and Pavements

Material

Ductile/Grey Cast Iron

Packing

Wooden Palets

Quantity per Pallet

8 sets

**VALURA<sup>®</sup>**

Valura Oy, Birger Kaipiainen piha 3 C 29, FI-00560, Helsinki

[info@valura.fi](mailto:info@valura.fi) [www.valura.fi](http://www.valura.fi)

